



The connection to perfection

ECS UK  
c/o 3 Hardman Street  
Manchester  
M3 3AT  
United Kingdom  
Tel.: +44 (0) 7440 202052  
Email: [uksales@ecs-electronics.com](mailto:uksales@ecs-electronics.com)  
[www.ecs-electronicsuk.co.uk](http://www.ecs-electronicsuk.co.uk)



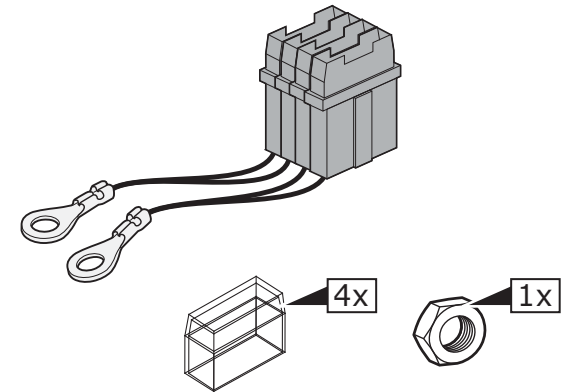
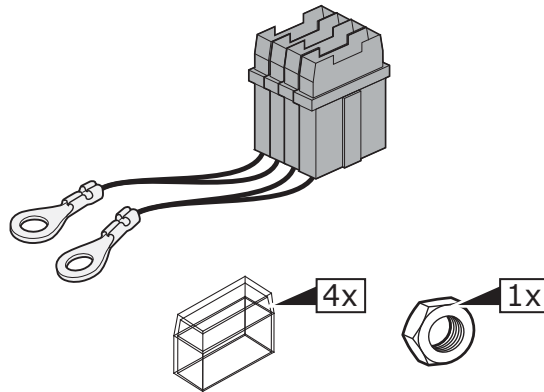
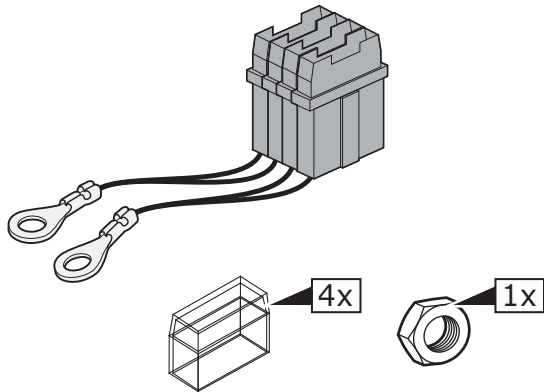
The connection to perfection

ECS UK  
c/o 3 Hardman Street  
Manchester  
M3 3AT  
United Kingdom  
Tel.: +44 (0) 7440 202052  
Email: [uksales@ecs-electronics.com](mailto:uksales@ecs-electronics.com)  
[www.ecs-electronicsuk.co.uk](http://www.ecs-electronicsuk.co.uk)



The connection to perfection

ECS UK  
c/o 3 Hardman Street  
Manchester  
M3 3AT  
United Kingdom  
Tel.: +44 (0) 7440 202052  
Email: [uksales@ecs-electronics.com](mailto:uksales@ecs-electronics.com)  
[www.ecs-electronicsuk.co.uk](http://www.ecs-electronicsuk.co.uk)



**B+ Extension for MB08313U**

SP-576-ZZU

**B+ Extension for MB08313U**

SP-576-ZZU

**B+ Extension for MB08313U**

SP-576-ZZU